



EXCELLENCE

A COMPLETE HARDWARE SOLUTION
PRICE LIST 2025




EXCELLENCE



EXCELLENCE

ABOUT US...

Excellence – Where elegance meets quality in Kitchen and Furniture Hardware.

Established in 2014, Excellence started in India's fastest growing city Surat and now covering PAN India. We, believe in delivering premium quality products at affordable prices.

The brand Excellence constantly thrives on adding innovative products with improved designs and quality of global standards to its unique range of Kitchen & Furniture Hardware accessories. As such, Excellence boasts of uniquely designed products, which are designed with an encompassing vision for creativity, functionality, durability, and quality. These products are designed to complement every kitchen design, effortlessly and elegantly.

We as Excellence believe in let the dealer and distributor satisfy by our product quality and reasonable price. They are the pillar of brand establishment with their strong customer network.

Let's make your kitchen as tasteful as your food, and your wardrobes as classy and stylish as you

5 KEY TO SUCCESS OUT BRAND



CUSTOMER
FEEDBACK

QUALITY
ASSURANCE



AFFORDABLE
PRICE

SUPERIOR
SERVICE



CONSTANT
UPDATING

CON TEN TS



01

**DRAWER
CHANNEL
SOLUTION**



09

**MODERN
KITCHEN
SOLUTION**



17

**AUTO
HINGES
SOLUTION**



23

**WARDROBE
SOLUTION**



34

**HYDRAULIC
FOLDING
SOLUTION**



38

**WARDROBE
FITTING
SOLUTION**

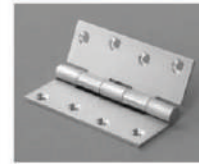
EXCELLE



43
LOCKING
SOLUTION



48
MORTISE
HANDLE
SOLUTION



55
SS
HINGES
SOLUTION



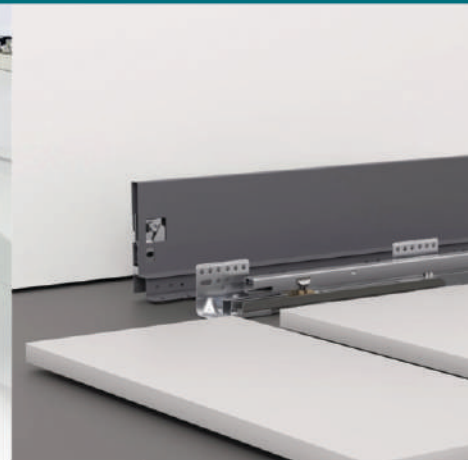
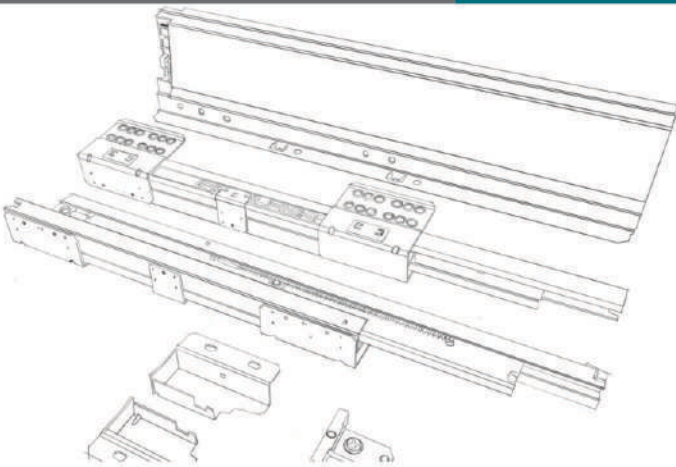
59
DOOR
CLOSER
SOLUTION



Drawer Channel Solution

The powerful precision slide for complete design freedom.

A Drawer Channel System, also known as a drawer slide or drawer runner, is a mechanical assembly that allows drawers to open and close smoothly and securely. It consists of a set of metal tracks, often with rolling or ball-bearing mechanisms, that guide the movement of the drawer within a cabinet or furniture frame.



Synchronisation for excellent running characteristics

Unlike conventional concealed slide systems, Features a synchronisation mechanism. Even under high load, the excellent running characteristics of channel remain unchanged. Load capacities of up to 30-50 kg are no problem for the system. Abrasion-resistant plastic rollers ensure a smooth, even glide every time.



EXCELLENCE

TELESCOPIC CHANNEL



EXCELLENCE PLATINUM CHANNEL

FEATURES

- Weight : 72 gm ± 2/Inch
- Weight capacity : 45 kg
- Ball Bearing : 5
- Colour : Black / Zink
- Big end rubber
- Heavy grey plate
- Virgin accessories

Size availability : 8" to 24"



S.No.	Item Code	Size	Price
1	X-TC-PL-8	8"	₹ 46/ INCH
2	X-TC-PL-10	10"	
3	X-TC-PL-12	12"	
4	X-TC-PL-14	14"	
5	X-TC-PL-16	16"	
6	X-TC-PL-18	18"	
7	X-TC-PL-20	20"	
8	X-TC-PL-22	22"	
9	X-TC-PL-24	24"	

EXCELLENCE GOLD CHANNEL

FEATURES

- Weight : 60 gm ± 2/Inch
- Weight capacity : 40 kg
- Ball Bearing : 2
- Colour : Black / Zink
- Big end rubber
- Heavy grey plate
- Virgin accessories

Size availability : 10" to 22"



S.No.	Item Code	Size	Price
1	X-TC-GL-10	10"	₹ 40/ INCH
2	X-TC-GL-12	12"	
3	X-TC-GL-14	14"	
4	X-TC-GL-16	16"	
5	X-TC-GL-18	18"	
6	X-TC-GL-20	20"	
7	X-TC-GL-22	22"	



STAINLESS STEEL CHANNEL

FEATURES

- Weight : 65 gm ± 2/Inch
- Weight capacity : 40 kg
- Ball Bearing : 2
- Colour : Zink
- Heavy gray plate

Size availability : 18" to 24"

S.No.	Item Code	Size	Price
1	X-TC-SS-18	18"	₹ 80/ INCH
2	X-TC-SS-20	20"	
3	X-TC-SS-22	22"	
4	X-TC-SS-24	24"	



HEAVY DUTY CHANNEL

FEATURES

- Heavy load carrying drawer
- Specially for wide cabinet
- 125 kg load capacity

Size availability : 14" to 36"

S.No.	Item Code	Size	Price
1	X-TC-HD-14	14"	₹ 140/ INCH
2	X-TC-HD-16	16"	
3	X-TC-HD-18	18"	
4	X-TC-HD-20	20"	
5	X-TC-HD-22	22"	
6	X-TC-HD-24	24"	
7	X-TC-HD-26	26"	
8	X-TC-HD-28	28"	
9	X-TC-HD-30	30"	
10	X-TC-HD-32	32"	
11	X-TC-HD-34	34"	
12	X-TC-HD-36	36"	

PUSH TO OPEN CHANNEL

FEATURES

- Mainly use for cabinet drawer, kitchen & office
- Threefold push open ball bearing slide
- Thickness : 1.5x1.2x1.2 MM

Size availability : 12" to 24"

S.No.	Item Code	Size	Price
1	X-TC-PO-12	12"	₹ 96/ INCH
2	X-TC-PO-14	14"	
3	X-TC-PO-16	16"	
4	X-TC-PO-18	18"	
5	X-TC-PO-20	20"	
6	X-TC-PO-22	22"	
7	X-TC-PO-24	24"	



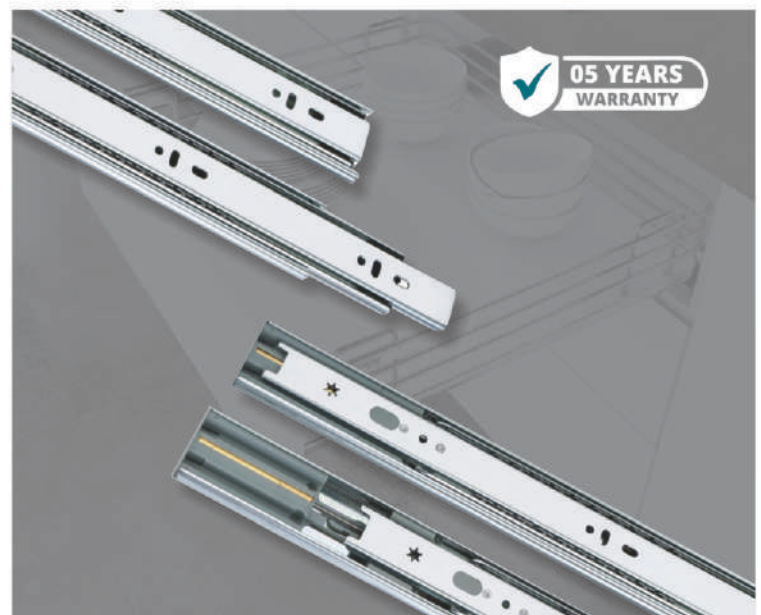
SOFT CLOSE CHANNEL

FEATURES

- Soft close mechanism with brass core
- Mainly use for cabinet drawer, kitchen trolley, office use
- Three fold soft close ball bearing slide
- Thickness : 1.5x1.2x1.2 MM

Size availability : 12" to 24"

S.No.	Item Code	Size	Price
1	X-TC-SC-12	12"	₹ 96/ INCH
2	X-TC-SC-14	14"	
3	X-TC-SC-16	16"	
4	X-TC-SC-18	18"	
5	X-TC-SC-20	20"	
6	X-TC-SC-22	22"	
7	X-TC-SC-24	24"	





SLIM TANDEM BOX



FEATURES

- Slim & straight lines design create the elegant and practical drawer system
- Thickness : 1.5x1.2x1.5x1.2 MM
- Load capacity : 50 kg
- Length : 300 - 600 MM
- Height : 84MM / 116MM / 167MM / 199MM
- Full extension with soft closing system
- 80000 cycle tested
- Silence system

Size availability : 12" to 24"



S.No.	Item Code	Height	Price	Size
1	X-SL-12-84	84 MM	₹ 4000	12" (300 MM)
2	X-SL-12-116	116 MM	₹ 4400	
3	X-SL-12-167	167 MM	₹ 4800	
4	X-SL-12-199	199 MM	₹ 5200	
5	X-SL-14-84	84 MM	₹ 4000	14" (350 MM)
6	X-SL-14-116	116 MM	₹ 4400	
7	X-SL-14-167	167 MM	₹ 4800	
8	X-SL-14-199	199 MM	₹ 5200	
9	X-SL-16-84	84 MM	₹ 4000	16" (400 MM)
10	X-SL-16-116	116 MM	₹ 4400	
11	X-SL-16-167	167 MM	₹ 4800	
12	X-SL-16-199	199 MM	₹ 5200	
13	X-SL-18-84	84 MM	₹ 4000	18" (450 MM)
14	X-SL-18-116	116 MM	₹ 4400	

S.No.	Item Code	Height	Price	Size
15	X-SL-18-167	167 MM	₹ 4800	18" (450 MM)
16	X-SL-18-199	199 MM	₹ 5200	
17	X-SL-20-84	84 MM	₹ 4000	20" (500 MM)
18	X-SL-20-116	116 MM	₹ 4400	
19	X-SL-20-167	167 MM	₹ 4800	
20	X-SL-20-199	199 MM	₹ 5200	
21	X-SL-22-84	84 MM	₹ 4200	22" (550 MM)
22	X-SL-22-116	116 MM	₹ 4600	
23	X-SL-22-167	167 MM	₹ 5000	
24	X-SL-22-199	199 MM	₹ 5400	
25	X-SL-24-84	84 MM	₹ 4600	24" (600 MM)
26	X-SL-24-116	116 MM	₹ 5000	
27	X-SL-24-167	167 MM	₹ 5400	
28	X-SL-24-199	199 MM	₹ 5800	

PRO SERIES

3D SLIM BOX



FEATURES

- 3D system install with very easy installation
- Thickness : 1.8x152x1.8x1.5 MM
- Load capacity : 60 kg
- Length : 300 - 600 MM
- Height : 88MM / 121MM / 171MM / 202MM
- Full extension with soft closing system
- 100000 cycle tested
- Super silence system

Size availability : 12" to 24"



S.No.	Item Code	Height	Price	Size
1	X-PRO-SL-12-88	88 MM	₹ 5000	12" (300 MM)
2	X-PRO-SL-12-121	121 MM	₹ 5400	
3	X-PRO-SL-12-171	171 MM	₹ 5800	
4	X-PRO-SL-14-88	88 MM	₹ 5000	14" (350 MM)
5	X-PRO-SL-14-121	121 MM	₹ 5400	
6	X-PRO-SL-14-171	171 MM	₹ 5800	
7	X-PRO-SL-16-88	88 MM	₹ 5000	16" (400 MM)
8	X-PRO-SL-16-121	121 MM	₹ 5400	
9	X-PRO-SL-16-171	171 MM	₹ 5800	
10	X-PRO-SL-16-202	202 MM	₹ 6200	18" (450 MM)
11	X-PRO-SL-18-88	88 MM	₹ 5000	
12	X-PRO-SL-18-121	121 MM	₹ 5400	
13	X-PRO-SL-18-171	171 MM	₹ 5800	
14	X-PRO-SL-18-202	202 MM	₹ 6200	

S.No.	Item Code	Height	Price	Size
15	X-PRO-SL-20-88	88 MM	₹ 5200	20" (500 MM)
16	X-PRO-SL-20-121	121 MM	₹ 5600	
17	X-PRO-SL-20-171	171 MM	₹ 6000	
18	X-PRO-SL-20-202	202 MM	₹ 6400	22" (550 MM)
19	X-PRO-SL-22-88	88 MM	₹ 5400	
20	X-PRO-SL-22-121	121 MM	₹ 5800	
21	X-PRO-SL-22-171	171 MM	₹ 6200	
22	X-PRO-SL-22-202	202 MM	₹ 6600	24" (600 MM)
23	X-PRO-SL-24-88	88 MM	₹ 5600	
24	X-PRO-SL-24-121	121 MM	₹ 6000	
25	X-PRO-SL-24-171	171 MM	₹ 6400	
26	X-PRO-SL-24-202	202 MM	₹ 6800	

INNER DRAWER SYSTEM

FEATURES

- Elegant look for wardrobe drawers
- Easy to fit in any size for wardrobe



S.No.	Item Code	Type	Price
1	X-IDS-FC-84	Front Connector 84 MM	₹ 700
2	X-IDS-FC-116	Front Connector 116 MM	₹ 800
3	X-IDS-FC-167	Front Connector 167 MM	₹ 900
4	X-IDS-FC-199	Front Connector 199 MM	₹ 1000
5	X-IDS-FP-01	Aluminum Front Panel	₹ 3800
6	X-IDS-FR-01	Aluminum Front Handle Rod	₹ 1400
7	X-IDS-GP-01	Aluminum Front Panel with Glass	₹ 3400

TANDEM BOX WITH GALLERY

FEATURES

- Normal tandem drawer attached with Square gallery
- Load Capacity : 45 kg
- Square gallery which look elegant
- Full extension soft close system



S.No.	Item Code	Size	Height	Price
1	X-TB-20-84	20" (500 MM)	84 MM	₹ 4000
2	X-TB-22-84	22" (550 MM)	84 MM	₹ 4200
3	X-TB-GL-550	Square Gallery	500 MM	₹ 4800
4	X-GL-500	20" (500 MM)	ADJUSTABLE GALLERY	₹ 800
5	X-GL-550	22" (550 MM)		₹ 850
6	X-GL-600	24" (600 MM)		₹ 900



POCKET CHANNEL

FEATURES

- Mounting clearance : 312MM (+0.5MM-0)
- Max. Load : 15kg
- Type of mounting : Front panel mounting
- Surface treatment : Zinc plating -blue, black electrophoresis, etc
- Material : Cold-rolled steel (1.4MM / 1.4MM)

Size availability : 12" to 24"

S.No.	Item Code	Size	Price
1	X-PSC-12	12"	₹ 120/ INCH
2	X-PSC-14	14"	
3	X-PSC-16	16"	
4	X-PSC-18	18"	
5	X-PSC-20	20"	
6	X-PSC-22	22"	
7	X-PSC-24	24"	



UNDERMOUNT QUADRO CHANNEL

FEATURES

- A silent system supported by synchronized motion
- Capacity : up to 40kg
- Thickness : 1.8x1.5x1.2 MM
- 3D adjustment system
- Best alternative of ball bearing channel
- Full extension
- Brass core

Size availability : 12" to 22"

S.No.	Item Code	Size	Price
1	X-UQC-12	12"	₹ 2600
2	X-UQC-14	14"	₹ 2700
3	X-UQC-16	16"	₹ 2800
4	X-UQC-18	18"	₹ 2900
5	X-UQC-20	20"	₹ 3000
6	X-UQC-22	22"	₹ 3100



Modern Kitchen Solution

Luxury redefined with elegant kitchen accessories and style.

Fashionable artistic design, constantly evolving production techniques, and hidden practical function are dedicated to those who know how to enjoy life, allowing you to calmly enjoy the art of living.



Minimalist luxury design, non-slip, stylish, functional, and easy cleaning.

Slim sides design, interpreting minimalism and light luxury style, enhance the taste of kitchen storage. The bottom is covered by a non-slip mat to prevent items from collision and is convenient to clean at the same time. This thoughtful design not only elevates aesthetics but also boosts functionality, making everyday kitchen organization effortless, stylish, and more refined for modern living.





SWING CORNER

FEATURES

- Different options on shelves style offering users with variants featuring exclusive design
- Easy installation and excellent soft-closing system
- Max 15 kg load capacity for each shelves

S.No.	Item Code	Cabinet Width	Min. Door Width	Operating	Width(W)	Height(H)	Depth(D)	Colour	Price
1	X-SC-WL	900	450	Left	830	540	490	White	₹ 20000
2	X-SC-WR			Right				White	
3	X-SC-GL			Left				Grey	
4	X-SC-GR			Right				Grey	



UNIVERSAL CORNER

FEATURES

- No connection with the door panel, all basket fully pull out
- Max 8 kg load capacity for each shelf
- Adopt high quality bottom heavy soft closing slide

S.No.	Item Code	Cabinet Width	Min. Door Width	Operating	Width(W)	Height(H)	Depth(D)	Price
1	X-UC-GL	900	450	Glass	600	610	520	₹ 36000
2	X-UC-FL			Flat Line				

BOTTLE PULL OUT (2 SHELVES)

FEATURES

- Left and right opening-universal
- Side mounted bottle pull out
- 2 shelves



S.No.	Item Code	Cabinet	Type	Basket Width	Width (W)	Height (H)	Depth (D)	Price	
1	X-BPO-2G-200	200	Glass	105	155	570	480	₹ 10000	
2	X-BPO-2F-200		Flat Line					₹ 10400	
3	X-BPO-2G-250	250	Glass	155	205			₹ 10800	
4	X-BPO-2F-250		Flat Line					₹ 11200	
5	X-BPO-2G-300	300	Glass	205				255	₹ 11600
6	X-BPO-2F-300		Flat Line						₹ 12000

BOTTLE PULL OUT (3 SHELVES)

FEATURES

- Left and right opening-universal
- Side mounted bottle pull out
- 3 shelves



S.No.	Item Code	Cabinet	Type	Basket Width	Width (W)	Height (H)	Depth (D)	Price	
1	X-BPO-3G-200	200	Glass	105	155	630	480	₹ 12000	
2	X-BPO-3F-200		Flat Line					₹ 12400	
3	X-BPO-3G-250	250	Glass	155	205			₹ 12800	
4	X-BPO-3F-250		Flat Line					₹ 13200	
5	X-BPO-3G-300	300	Glass	205				255	₹ 13600
6	X-BPO-3F-300		Flat Line						₹ 14000

PANTRY TRAY UNIT



FEATURES

- The height can be controlled, the basket buckle design, the spacing is adjustable, up and down adjustment, take care of the high and low need of each bottle.
- High cabinet storage system is a multi-purpose multi-functional system, can adapt to a variety of height cabinet, in an endless stream of multi-balanced life scenes, complete the storage, storage display of functional and ritual sense.

S.No.	Item Code	Cabinet Size	Width (W)	Height (H)	Depth (D)	Price
1	X-PT-450-GL	450	390	1850-2150	500	₹ 36000
2	X-PT-600-GL	600	500			₹ 38000



ELEVATED BASKET

FEATURES

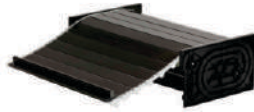
- The lift-up basket was chosen to make better use of the high cabinet space
- The double-layer basket achieves a perfect storage effect

S.No.	Item Code	Cabinet Size	Width (W)	Height (H)	Depth (D)	Price
1	X-EB-GL-600	600	565	550	280	₹ 34000
2	X-EB-GL-900	900	865			₹ 38000

PVC ROLLING SHUTTER

FEATURES

- Easy and fast installation
- No special tools is required
- **Product Depth : 300MM**
- **Product Height : 1320MM**



S.No.	Item Code	Cabinet	Colour	Price
1	X-PRS-BL-450	450	Black	₹ 26000
2	X-PRS-WH-450		Silver	
3	X-PRS-SL-450		White	
4	X-PRS-GR-450		Dark Grey	
4	X-PRS-GL-450		Gold	
6	X-PRS-BL-600	600	Black	₹ 28000
7	X-PRS-WH-600		Silver	
8	X-PRS-SL-600		White	
9	X-PRS-GR-600		Dark Grey	
10	X-PRS-GL-600		Gold	
11	X-PRS-BL-900	900	Black	₹ 34000
12	X-PRS-WH-900		White	
13	X-PRS-SL-900		Silver	



GLASS ROLLING SHUTTER

FEATURES

- Easy and fast installation
- No special tools is required
- **Product Depth : 330MM**
- **Product Height : 1320MM**



S.No.	Item Code	Cabinet	Colour	Price
1	X-GRS-BL-450	450	Black	₹ 42000
2	X-GRS-FR-450		Frosted	
3	X-GRS-SL-450		White	
1	X-GRS-BL-600	600	Black	₹ 44000
2	X-GRS-FR-600		Frosted	
3	X-GRS-SL-600		White	





EXCELLENCE

DISH RACK



FEATURES

- The base material is made of food-grade stainless steel, stamped and bent
- Perfect assembly process, no fingerprint surface treatment, durable and environmentally friendly healthy

S.No.	Item Code	Cabinet Size	Plate No.	Width (W)	Height (H)	Depth (D)	Price
1	X-DR-600	600	10	565	65	280	₹ 3200
2	X-DR-700	700	12	665			₹ 3400
3	X-DR-800	800	14	765			₹ 3600
4	X-DR-900	900	16	865			₹ 3800



PVC CUTLERY

FEATURES

- Elegantly designed to suit today's modern kitchen
- Manufactured out of non toxic, food grade poly propylene and easy to clean

S.No.	Item Code	Size	Actual Size	Price
1	X-PC-450	450	17 x 22	₹ 2000
2	X-PC-500	500	19 x 22	₹ 2200
3	X-PC-600	600	23 x 22	₹ 2400
4	X-PC-700	700	27 x 22	₹ 2600
5	X-PC-800	800	31 x 22	₹ 3000
6	X-PC-900	900	35 x 22	₹ 3400

TANDEM ACCESSORY

FEATURES

- Material : Stainless steel with nickel chrome
- Portable
- Can be easily cleaned
- Given ABS material base to reduce noise which will be coming while opening & closing the drawers

S.No.	Size	Item Code	Size	Price
1	20"	X-TA-T-20	THALI	₹ 880 Per Pcs.
		X-TA-P-20	PLATE	
		X-TA-C-20	CUP SAUCER	
2	22"	X-TA-T-22	THALI	₹ 960 Per Pcs.
		X-TA-P-22	PLATE	
		X-TA-C-22	CUP SAUCER	
3	24"	X-TA-T-24	THALI	₹ 1040 Per Pcs.
		X-TA-P-24	PLATE	
		X-TA-C-24	CUP SAUCER	

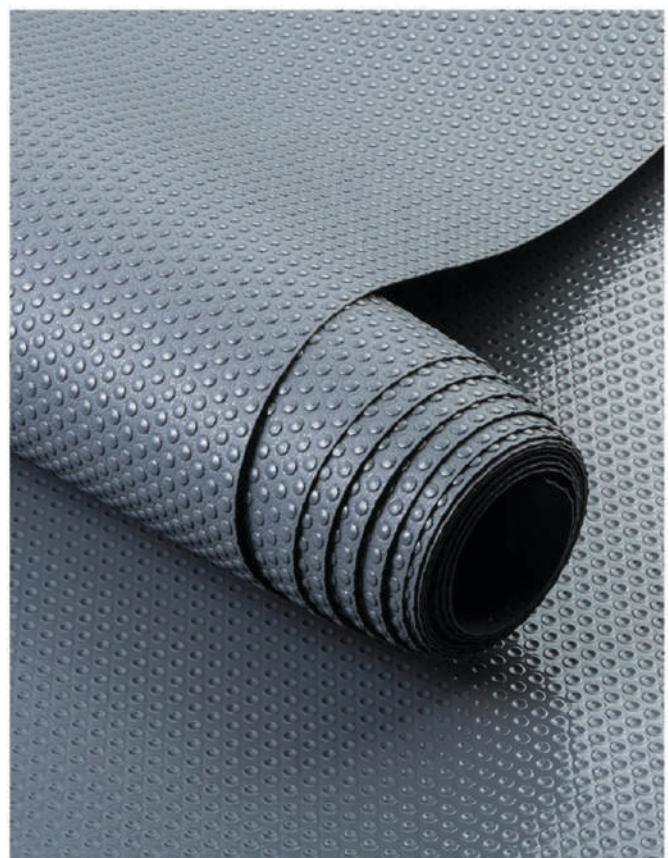


ANTI SKID MATT

FEATURES

- Slip resistant & strong grip
- It is design with round cut on one side to increase friction and prevent dishware and other fragile items from moving in your drawer & shelves. The other site is smooth and non adhesive with strong grip to reduce shift.
- **Thickness : 1 MM**
- Washable material
- Using in kitchen, cabinet drawer shelf etc.
- Food grade antiskid mat

S.No.	Item Code	Height	Size	Price
1	X-ASM-20-5	5 MTR	20"	₹ 2400
2	X-ASM-22-5		22"	₹ 2500
3	X-ASM-20-20	20 MTR	20"	₹ 8800
4	X-ASM-22-20		22"	₹ 9200





DUST BIN

FEATURES

- Finish : Glossy finish container
- Material : Stainless steel container & ABS plastic parts

EXCELLENCE



S.No.	Item Code	Type	Capacity	Cabinet Width (T)	Size (W x D x H)	Price
1	X-DB-AB	Auto Bin	9 LTR	300 MM	255 x 310 x 330	₹ 4600
2	X-DB-DD	Auto Bin	14 LTR		275 x 335 x 350	₹ 5000
3	X-DB-TC	Drawer Dustbin	10 + 10 LTR		250 x 350 x 450	₹ 12000



WICKER BASKET

FEATURES

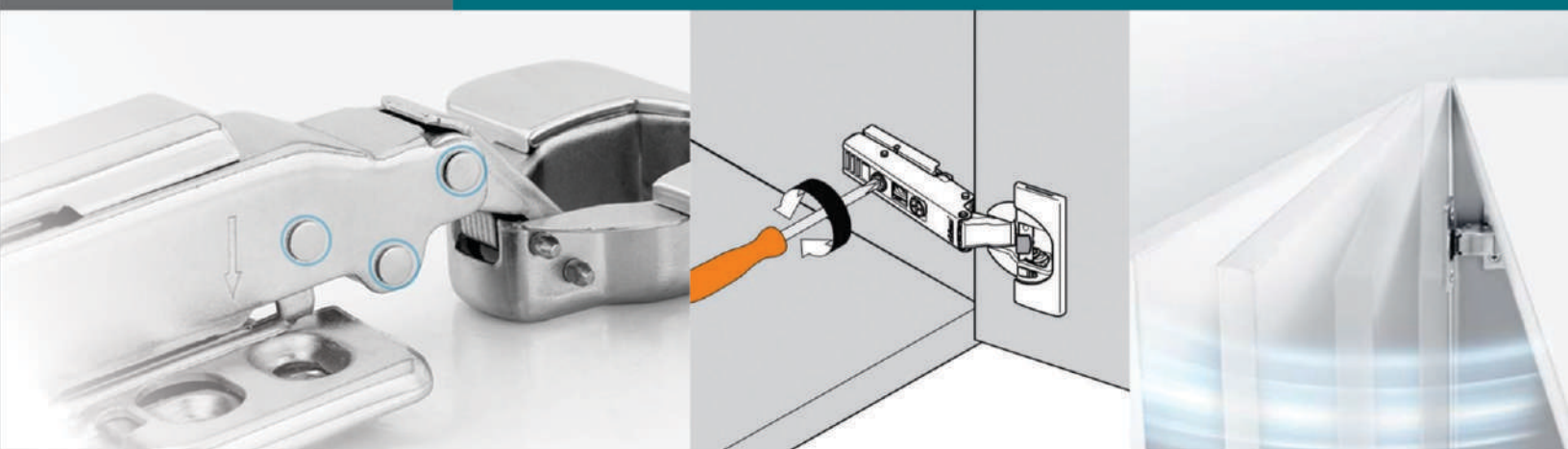
- Finish : Wooden finish
- Material : Wood & cane

S.No.	Item Code	Cabinet Width (T)	Height (H)	Depth (D)	Basket Width	Price
1	X-WB-450-4	450 MM	4"	500 MM	400 MM	₹ 8800
2	X-WB-450-6		6"			
3	X-WB-450-8		8"			
4	X-WB-600-4	600 MM	4"		525 MM	₹ 9200
5	X-WB-600-6		6"			
6	X-WB-600-8		8"			

Auto Hinges Solution

Smooth every opening
with strength and
elegance look.

Auto hinges to optimize the operation of the control rod due to the physical, is very easy to open the door furniture, in addition the orientation of this unique mode enables unprecedented likely to minimum gap.



Emphasizes the seamless functionality and aesthetic appeal of high-quality auto hinges.

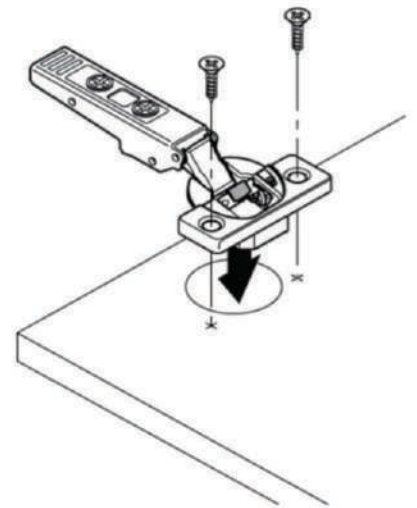
Auto hinges are specialized hardware components designed to facilitate the automatic closing of doors and panels. They are widely utilized in residential, commercial, and industrial settings, offering both functionality and aesthetic appeal.

2D HYDRAULIC HINGES



FEATURES

- Opening angle 100°
- Shallow cup depth 13 MM
- Available with overly, half overly & insert overly
- 48 hrs. salt spray tested
- 50000 cycle passed
- Shutter thickness 16 MM to 19 MM



SS 2D HYDRAULIC HINGES

S.No.	Item Code	Crank	Price
1	X-SS-0	0	₹ 400
2	X-SS-8	8	
3	X-SS-16	16	

MS 2D HYDRAULIC HINGES

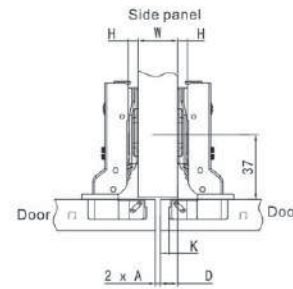
S.No.	Item Code	Crank	Price
1	X-MS-0	0	₹ 220
2	X-MS-8	8	
3	X-MS-16	16	

3D HYDRAULIC HINGES

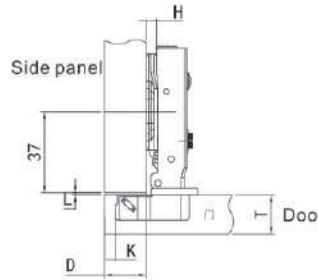


FEATURES

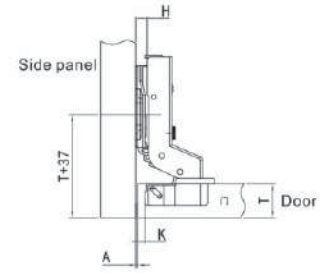
- Opening angle 100°
- Shallow cup depth 13 MM
- Available with overly, half overly & insert overly
- 48 hrs. salt spray tested
- 50000 cycle passed
- Shutter thickness 16 MM to 19 MM



8 CRANK



0 CRANK



16 CRANK

MS 3D HYDRAULIC HINGES (GUN BLACK)



SS 3D HYDRAULIC HINGES



S.No.	Item Code	Finish	Crank	Price
1	X-MS-3D-0	Gun Black	0	₹ 300
2	X-MS-3D-8		8	
3	X-MS-3D-16		16	

S.No.	Item Code	Finish	Crank	Price
1	X-SS-3D-0	SS	0	₹ 500
2	X-SS-3D-8		8	
3	X-SS-3D-16		16	



165° HYDRAULIC AUTO HINGES

FEATURES

- Unique build in damping system allows the shutter to close in slow motion without banding
- Opening angle 165°
- Shallow cap depth 13 MM
- 48 Hrs. salt spray tested
- 50000 cycle passed
- Shutter thickness 16 MM to 19 MM
- Finish : Nickel plated

S.No.	Item Code	Crank	Type	Price
1	X-MS-165	165	Hydraulic	₹ 1100



135° AUTO HINGES

FEATURES

- Opening angle 135°
- Unique build in damping system allows the shutter to close in slow motion without banding
- Stainless steel body for longer life
- Shallow cap depth 13 MM
- 48 Hrs. salt spray tested
- 50000 cycle passed
- Shutter thickness 16 MM to 19 MM
- Finish : Nickel plated

S.No.	Item Code	Crank	Price
1	X-MS-135	135	₹ 500

90° AUTO HINGES

FEATURES

- Opening angle 90°
- Unique build in damping system allows the shutter to close in slow motion without banding
- Shallow cap depth 13 MM
- 48 Hrs. salt spray tested
- 50000 cycle passed
- Shutter thickness 16 MM to 19 MM
- Finish : Nickel plated



S.No.	Item Code	Crank	Price
1	X-MS-90	90	₹ 500

THICK DOOR HINGES

FEATURES

- Opening angle 95°
- Depth of hinge cup : 40 MM
- Dimension of door : 3-7 MM
- Range of door thickness : 25-30 MM



S.No.	Item Code	Crank	Price
1	X-TD-0	0	₹ 640
2	X-TD-8	8	
3	X-TD-16	16	

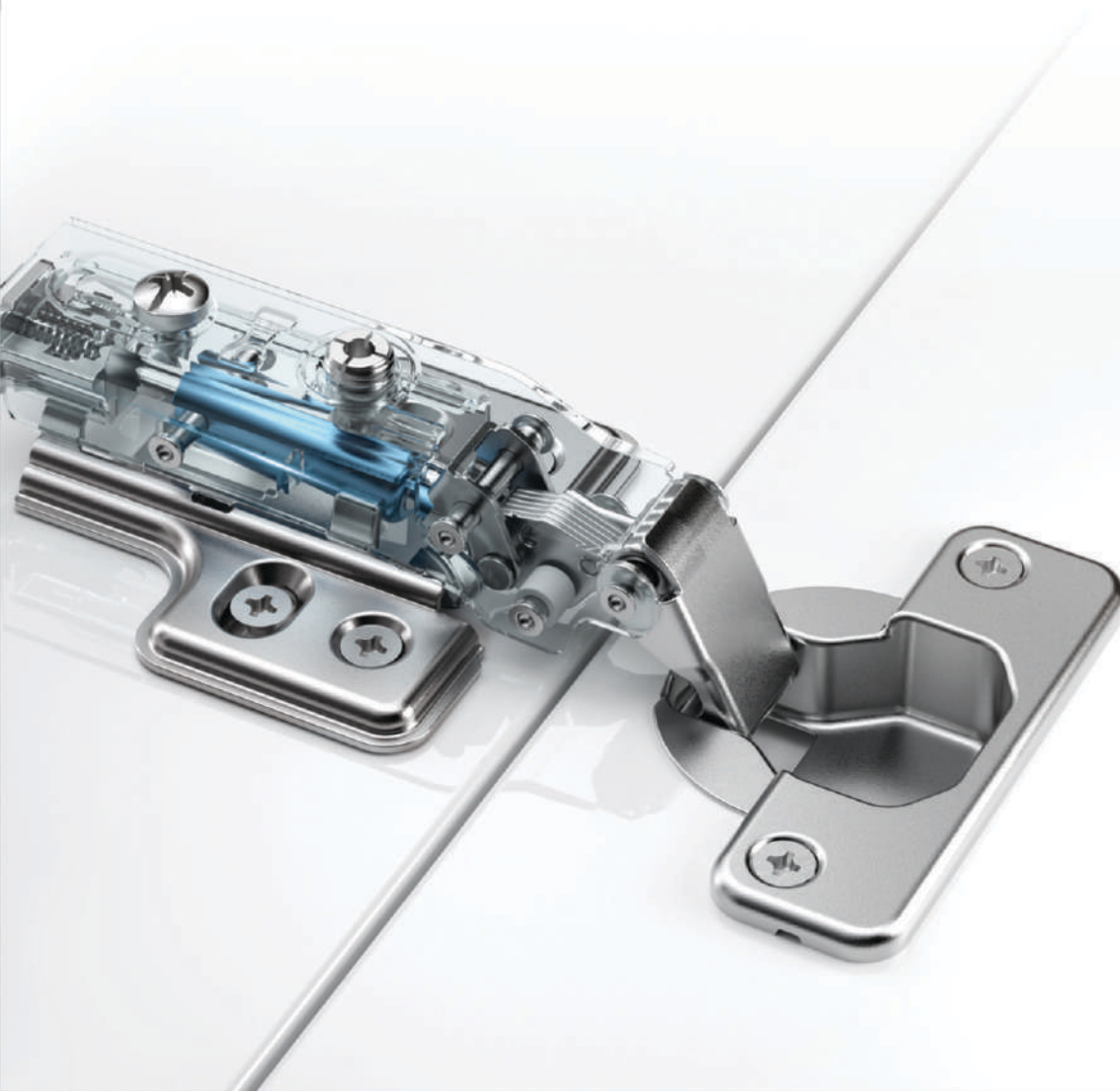


3D PROFILE HINGES

FEATURES

- Opening angle 95°
- Drilling dimension : 12.1 MM
- Frame hinge head : 28 MM
- Range of width of aluminium frame (V) : 19-24 MM

S.No.	Item Code	Colour	Crank	Price
1	X-PH-SS-0	SS Finish	0, 8, 16	₹ 640
2	X-PH-BL-0	Gun Black Finish	0, 8, 16	₹ 720



Wardrobe Solution

Elevate your style,
embrace wardrobe luxury

Elevate your style. Embrace wardrobe luxury. Experience timeless elegance and unparalleled craftsmanship.



A multiplicity of options to wardrobe accessories neatly and to keep them looking their best.

A classic synthesis of technological development and design, they stand out for the elegance of the profiles, oozing perfect aesthetics and smooth and sinuous shapes, also enabling, from a functional point of view, the easy cleaning of the drawer bottom.



WARDROBE LIFTOR

FEATURES

- The structure design is reasonable, practical & beautiful
- The damping air rod with high quality of buttering function
- Easy to pull down & smooth to rise
- Extend up to 4"



S.No.	Item Code	Size	Colour	Price
1	X-WL-GR-800	830x1150 MM	Grey	₹ 8000
2	X-WL-MC-800	830x1150 MM	Mocha	₹ 8000

JEWELLERY BOX

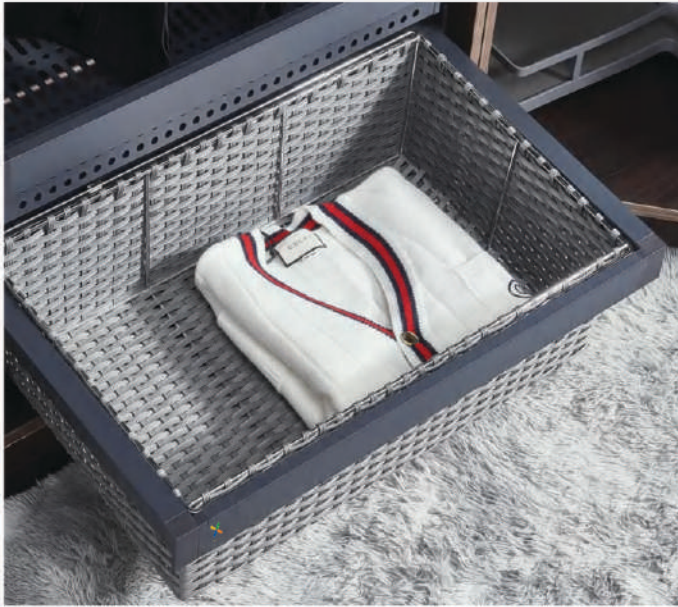
FEATURES

- The product material is made of high humidity magnesium aluminum
- The width can be adjust up to 15mm
- Synchronized silent damping rail
- The humanized design make the accessory storage more quiet



S.No.	Item Code	Cabinet Width	Colour	Price
1	X-JW-GR-600	600 MM	Grey	₹ 16000
2	X-JW-GR-700	700 MM	Grey	₹ 17000
3	X-JW-GR-800	800 MM	Grey	₹ 18000
4	X-JW-GR-900	900 MM	Grey	₹ 19000

S.No.	Item Code	Cabinet Width	Colour	Price
1	X-JW-MC-600	600 MM	Mocha	₹ 16800
2	X-JW-CM-700	700 MM	Mocha	₹ 17800
3	X-JW-CM-800	800 MM	Mocha	₹ 18800
4	X-JW-MC-900	900 MM	Mocha	₹ 19800



RATTAN BASKET



FEATURES

- Aluminum frame structure with telescopic adjustment of 15mm is suitable for different cabinet
- Clothes basket are made of rattan like PVC rubber strips and woven by hand
- The basket can be washed with water & are not easy to deform



S.No.	Item Code	Cabinet Width	Colour	Price
1	X-RB-GR-600	600 MM	Grey	₹ 16800
2	X-RB-GR-700	700 MM		₹ 17800
3	X-RB-GR-800	800 MM		₹ 18800
4	X-RB-GR-900	900 MM		₹ 19800

S.No.	Item Code	Cabinet Width	Colour	Price
1	X-RB-MC-600	600 MM	Mocha	₹ 16800
2	X-RB-MC-700	700 MM		₹ 17800
3	X-RB-MC-800	800 MM		₹ 18800
4	X-RB-MC-900	900 MM		₹ 19800



TROUSER PULL OUT

FEATURES

- The product material adopt high-strength magnesium aluminum frame
- It is durable & firm
- The width can be adjust to 15mm



S.No.	Item Code	Cabinet Width	Colour	Price
1	X-TP-GR-600	600 MM	Grey	₹ 10600
2	X-TP-GR-700	700 MM		₹ 11500
3	X-TP-GR-800	800 MM		₹ 12400
4	X-TP-GR-900	900 MM		₹ 13300

S.No.	Item Code	Cabinet Width	Colour	Price
1	X-TP-MC-600	600 MM	Mocha	₹ 10600
2	X-TP-MC-700	700 MM		₹ 11500
3	X-TP-MC-800	800 MM		₹ 12400
4	X-TP-MC-900	900 MM		₹ 13300

SINGLE SIDE TROUSER RACK

V-SHAPED TROUSER RACK

FEATURES

- Top mounted damping v-shaped trouser rack
- The product material is made of high-strength arch couple alloy frame, strong garden, durable, nano-degree technology
- Soft velvet board slippery and traceless

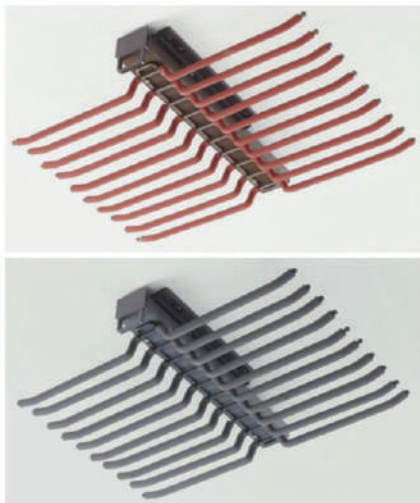


S.No.	Item Code	Size	Colour	Price
1	X-STR-GR	350x450x120 MM	Grey	₹ 8500
2	X-STR-MC		Mocha	₹ 8500

DOUBLE SIDE TROUSER RACK

FEATURES

- Top mounted damping v-shaped trouser rack
- The product material is made of high-strength arch couple alloy frame, strong garden, durable, nano-degree technology
- Soft velvet board slippery and traceless



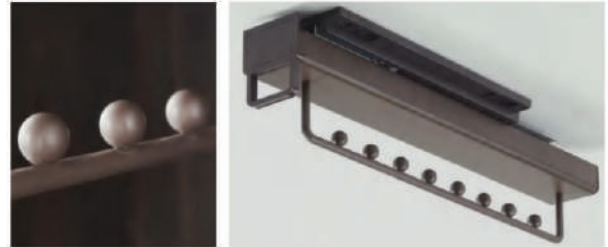
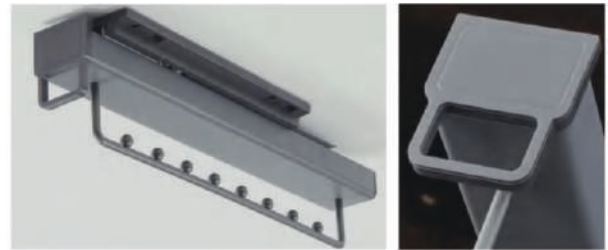
S.No.	Item Code	Size	Colour	Price
1	X-DTR-GR	580x450x120 MM	Grey	₹ 9500
2	X-DTR-MC		Mocha	₹ 9500

CLOTH HANGER



FEATURES

- Product material adopt high strength alloy frame durable
- Hanging clothes without tilt & top prevent injury to clothes



S.No.	Item Code	Size	Colour	Price
1	X-CH-GR	120x450x120 MM	Grey	₹ 5100
2	X-CH-MC		Mocha	

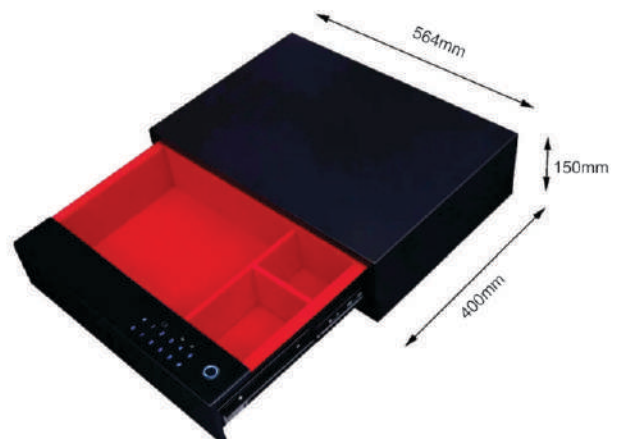


PASSWORD BOX

FEATURES

- Password plus fingerprint feature available
- Outer cabinet is made of mild steel and it is unbreakable
- Outer cabinet Colour : Black
- Inner cabinet Colour : Red/Grey

S.No.	Item Code	Size	Price
1	X-PB-600	564x400x150 MM	₹ 36000



360° ROTATION SHOE RACK

FEATURES

- Top whole structure can rotate 360° which is convenient for taking shoes
- Large storage & diagonal cross design of shelves
- Each layer can put more than 3 pair of shoes
- Total 12 layer of steel laminated firm

S.No.	Item Code	Size	Colour	Price
1	X-RSR-GR-12	760x380 MM	Grey	₹ 50000
2	X-RSR-MC-12		Mocha	



IRONING BOARD



FEATURES

- Easy to store & pull out easily
- Foldable unit which save your space

S.No.	Item Code	Size	Price
1	X-IB-500	430x310x150 MM	₹ 12600



WARDROBE MIRROR



S.No.	Item Code	Size	Price
1	X-EM-1200	356x1200 MM	₹ 7000



SHOE RACK



FEATURES

- Material : Iron
- Colour : Grey
- Size : 9" (Appropriate for 2 shelf)
12" (Appropriate for 3 shelf)



S.No.	Item Code	Colour	Price
1	X-SR-2S	Grey	₹ 1350
2	X-SR-3S		₹ 1500



WARDROBE ROD & CONNECTOR

FEATURES

- To make your wardrobe elegant with designed rod
- Material : Rod : Aluminium, Connector : Zinc Alloy
- Available colour : Black
- Size : 3 meter

S.No.	Item Code	Colour	Price
1	X-WR-3M	Black	₹ 3200
2	X-WR-C		₹ 1000







PRO SERIES

WARDROBE ACCESSORIES

Exclusive
Moran Green
Colour



LUXURIOUS WATCH WINDER



S.No.	Item Code	Size	Price
1	X-LWW-MG	860x300x300 MM	₹ 150000

ARC SHAPED DOUBLE DECK STORAGE



S.No.	Item Code	Size	Price
1	X-DDS-MG	860x300x200 MM	₹ 70000

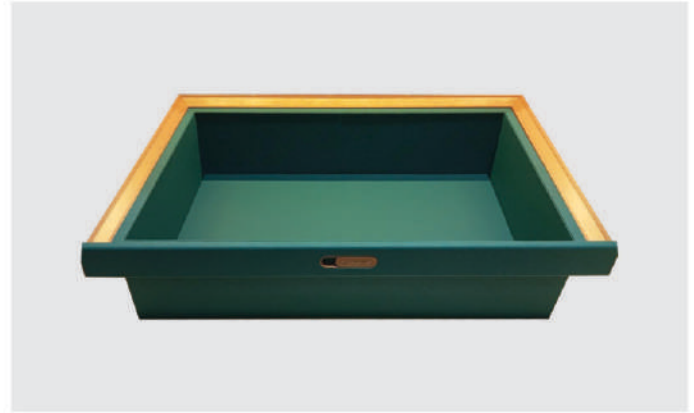
CLOTH HANGER

S.No.	Item Code	Size	Price
1	X-CH-MG	120x450x120 MM	₹ 7000



LEATHER BASKET

S.No.	Item Code	Size	Price
1	X-LB-MG-600	564x465x125 MM	₹ 18500
2	X-LB-MG-900	864x465x125 MM	₹ 20500



LEATHER SHALLOW BOX

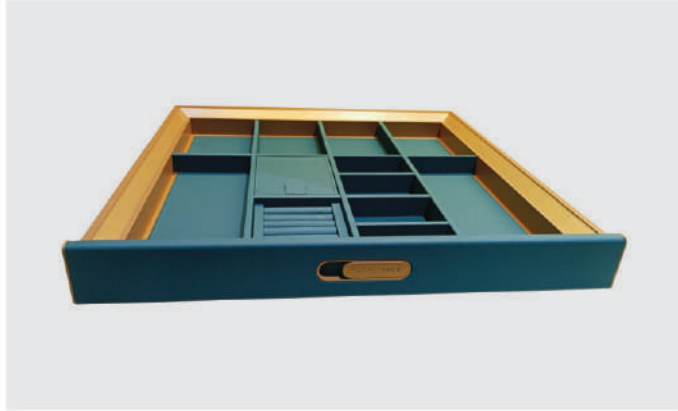
S.No.	Item Code	Size	Price
1	X-SB-MG-600	564x465x80 MM	₹ 15500
2	X-SB-MG-900	864x465x80 MM	₹ 17500



TROUSER PULL OUT

S.No.	Item Code	Size	Price
1	X-TP-MG-600	564x465x80 MM	₹ 16500
2	X-TP-MG-900	864x465x80 MM	₹ 18500





JEWELLERY BOX

S.No.	Item Code	Size	Price
1	X-JW-MG-600	564x465x80 MM	₹ 20500
2	X-JW-MG-900	864x465x80 MM	₹ 23500



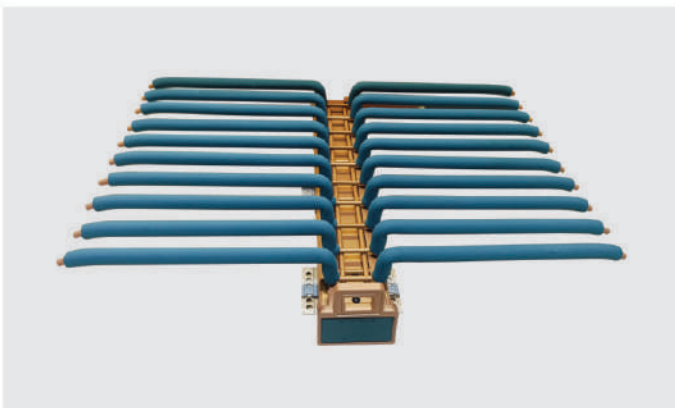
COMPARTMENT BOX

S.No.	Item Code	Size	Price
1	X-CB-MG-600	564x465x80 MM	₹ 16500
2	X-CB-MG-900	864x465x80 MM	₹ 18500



TOP MOUNT SINGLE SIDE TROUSER RACK

S.No.	Item Code	Size	Price
1	X-STR-MG	370x460x120 MM	₹ 9500



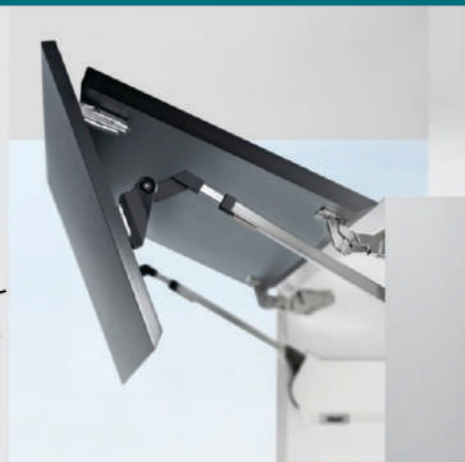
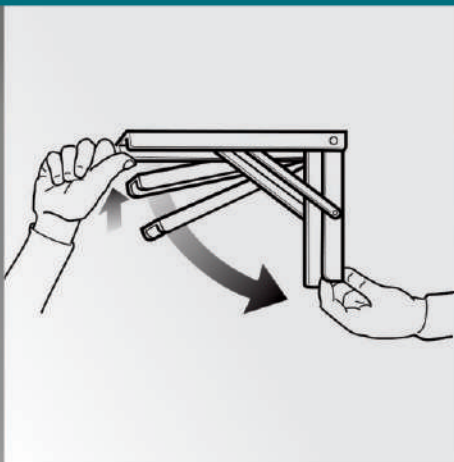
TOP MOUNT DOUBLE SIDE TROUSER RACK

S.No.	Item Code	Size	Price
1	X-DTR-MG	590x460x110 MM	₹ 10500

Hydraulic Folding Solution

Luxury in motion
hydraulic comfort redefined

Hydraulic folding furniture solutions seamlessly blend space-saving design with effortless functionality. Utilizing advanced hydraulic mechanisms, these innovations allow for smooth.



Experience the pinnacle of comfort and sophistication with our advanced hydraulic furniture systems.

Experience the pinnacle of comfort and sophistication with our advanced hydraulic furniture systems. Seamlessly blending cutting-edge technology with elegant design, our pieces offer effortless adjustability and personalized support, transforming your living space into a haven of modern luxury.



9" GAS PUMP



FEATURES

- Weight capacity : 5 kg to 25 kg
- Material : Mild Steel
- Color : Grey

S.No.	Item Code	Weight Capacity	Price
1	X-GP-9-5	5 kg	₹ 380/ SET
2	X-GP-9-10	10 kg	
3	X-GP-9-15	15 kg	
4	X-GP-9-20	20 kg	
5	X-GP-9-25	25 kg	

10" SOFT CLOSE GAS PUMP



FEATURES

- When the close angle reach to 25°, it will close automatically
- When the open angle reach to 30°, it will open automatically
- Colour : Grey
- Weight capacity : 5 kg to 20 kg
- Material : Mild steel

S.No.	Item Code	Weight Capacity	Price
1	X-GP-10-5	5 kg	₹ 640/ SET
2	X-GP-10-10	10 kg	
3	X-GP-10-15	15 kg	
4	X-GP-10-20	20 kg	

12" GAS PUMP



FEATURES

- Weight capacity : 10 kg to 35 kg
- Material : Mild steel
- 8 MM Rod & Size : 18x8 MM
- Colour : Black

S.No.	Item Code	Weight Capacity	Price
1	X-GP-12-10	10 kg	₹ 900/ SET
2	X-GP-12-15	15 kg	
3	X-GP-12-20	20 kg	
4	X-GP-12-25	25 kg	
5	X-GP-12-30	30 kg	
6	X-GP-12-35	35 kg	

DINING FOLDING TABLE

FEATURES

- Wall mount type
- Bearing roller system
- Easy to install



S.No.	Item Code	Size	Price
1	X-DFT-24	24 Inch (2 Feet)	₹ 5200
2	X-DFT-30	30 Inch (2.5 Feet)	₹ 5400
3	X-DFT-36	36 Inch (3 Feet)	₹ 6600
4	X-DFT-48	48 Inch (4 Feet)	₹ 7400
5	X-DFT-60	60 Inch (5 Feet)	₹ 9800



TABLE FOLDING BRACKET

FEATURES

- Wall mount type
- 1.2 MM Thickness
- Easy to fold
- Color : Grey



S.No.	Item Code	Size	Price
1	X-TFB-12	12 Inch	₹ 1440
2	X-TFB-14	14 Inch	₹ 1560
3	X-TFB-16	16 Inch	₹ 1680
4	X-TFB-18	18 Inch	₹ 1840
5	X-TFB-20	20 Inch	₹ 2200
6	X-TFB-24	24 Inch	₹ 2600





BI-FOLD SYSTEM



FEATURES

- Adjustable arm
- Light & Medium rod is extend upto 400 MM
- Heavy weight is extend upto 520 MM



S.No.	Item Code	Panel Height	Load Type	Load Capacity	Price
1	X-DDLU-L	600-800 MM	LIGHT	5-9 kg	₹ 17000
2	X-DDLU-M	600-800 MM	MEDIUM	7-11 kg	
3	X-DDLU-H	750-1000 MM	HEAVY	8-14 kg	



BED LIFT-UP SYSTEM

FEATURES

- Available in 03 frame lengths
- Effortless opening
- 33 degree (wide) opening angle for easy access
- Easy to lift with the weight of top board
- Ideal for storage under bed
- Pump size : 17*28*14



S.No.	Item Code	Size	Price
1	X-BF-3	3 FEET	₹ 4300
2	X-BF-4	4 FEET	₹ 4500
3	X-BF5	5 FEET	₹ 4700

S.No.	Item Code	Weight Capacity	Price
1	X-17P-50	50 kg	₹ 1300
2	X-17P-75	75 kg	
3	X-17P-100	100 kg	
4	X-17P-125	125 kg	
5	X-17P-150	150 kg	
6	X-17P-175	175 kg	
7	X-17P-200	200 kg	
8	X-17P-225	225 kg	
9	X-17P-250	250 kg	

Wardrobe Fitting Solution

Slide into style, effortless elegance for your wardrobe

Experience seamless sophistication with our sliding wardrobe fittings, combining modern design with smooth functionality to elevate your living space.



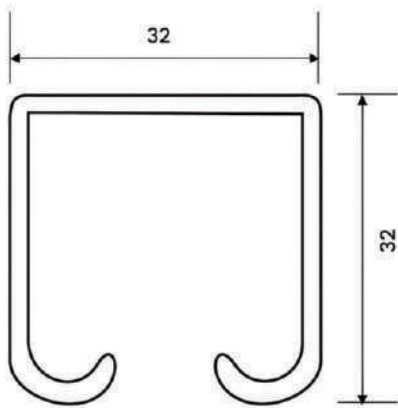
Seamless sophistication meets effortless functionality in our hydraulic sliding wardrobe system.

Experience seamless organization with our advanced wardrobe fitting solutions. Designed for modern living, they combine sleek aesthetics with innovative features like soft-close mechanisms and customizable interiors, ensuring both style and functionality in your space.





U TRACK (DOOR GEAR)



FEATURES

- High tensile and yield strength
- Perfect dimension
- Hassle free installation

S.No.	Item Code	Size	Price
1	X-UT-06	6 FEET	₹ 260 ft
2	X-UT-08	8 FEET	
3	X-UT-10	10 FEET	
4	X-UT-12	12 FEET	

4 WHEEL RUNNER 8 WHEEL RUNNER



FEATURES

- Smooth steel, Nylon wheel
- SS floor guide
- Easy to install

S.No.	Item Code	Size	Price
1	X-UT-4W	4 WHEEL	₹ 1400
2	X-UT-8W	8 WHEEL	₹ 1800

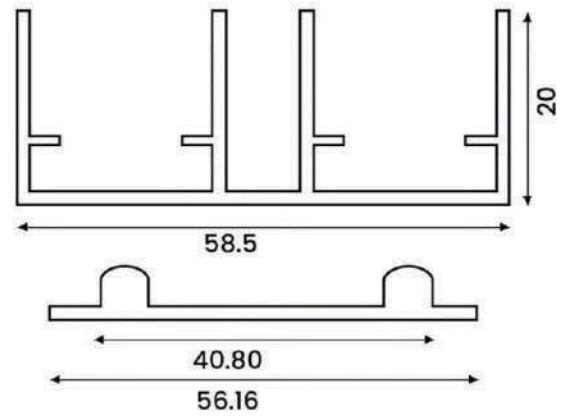


DOUBLE TRACK

FEATURES

- High tensile and yield strength
- Perfect dimension
- Hassle free installation

S.No.	Item Code	Size	Price
1	X-DT-06	6 FEET	₹ 300 ft
2	X-DT-08	8 FEET	
3	X-DT-10	10 FEET	
4	X-DT-12	12 FEET	



DOUBLE TRACK RUNNER

FEATURES

- Smooth bearing wheel for free movement
- Bearing top support
- Easy to install

S.No.	Item Code	Item	Price
1	X-DT-BR	Double track bearing runner	₹ 600

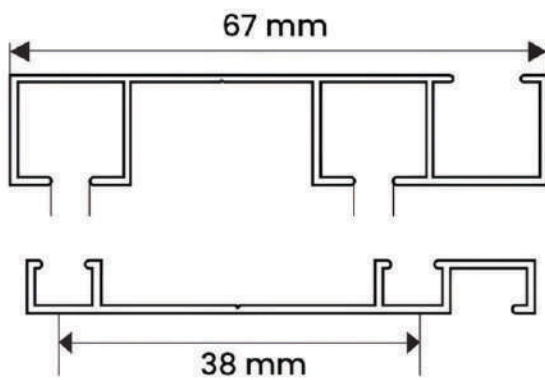




SLIM TRACK/SKY TRACK

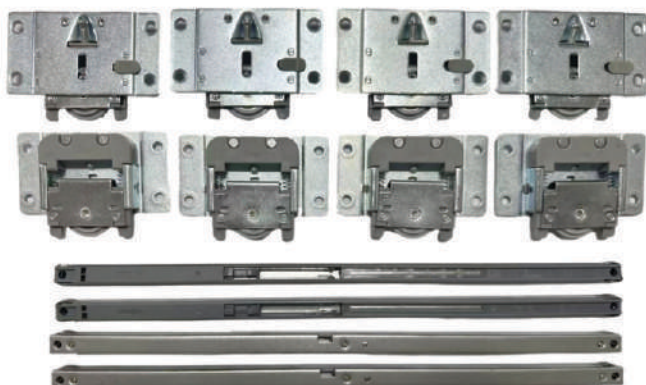
FEATURES

- High tensile and yield strength
- Perfect dimension
- Hassle free installation
- Smooth surface



S.No.	Item Code	Size	Price
1	X-SLT-06	6 FEET	₹ 360 ft
2	X-SLT-66	6.5 FEET	
3	X-SLT-08	8 FEET	
4	X-SLT-10	10 FEET	
5	X-SLT-12	12 FEET	

SLIM TRACK SKY TRACK FITTING



FEATURES

- Soft close type
- Soft close capacity 45 kg
- Runner capacity 60 kg
- Can be used in glass shutter sliding
- 2 side soft close

S.No.	Item Code	Item	Price
1	X-SLT-LW	Back Side Screw	₹ 2600

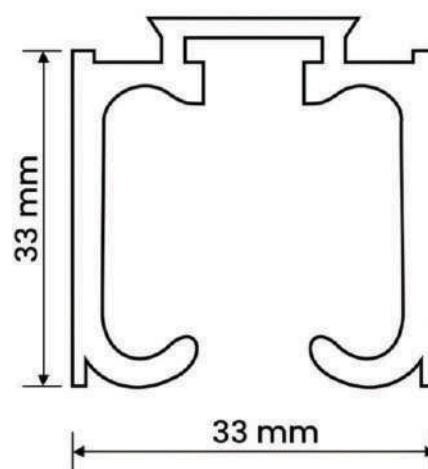


U SQUARE M TYPE TRACK

FEATURES

- High tensile and yield strength
- Perfect dimension
- Hassle free installation

S.No.	Item Code	Size	Price
1	X-UST-08	8 FEET	₹ 360 ft
2	X-UST-12	12 FEET	



8 WHEEL SOFT CLOSE RUNNER

FEATURES

- 2 side soft closing system
- Minimum door length
- Supporting heavy door
- Runner capacity 60 kg

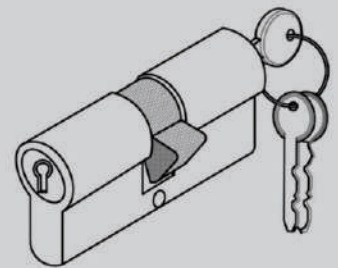
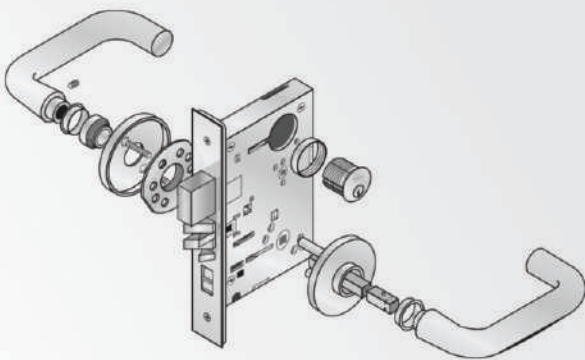
S.No.	Item Code	Item	Price
1	X-UST-8WS	8 Wheel Two Way	₹ 4600



Locking Solution

Strength you can trust
security you deserve.

Offering dependable strength and the reliable security you deserve for complete peace of mind.

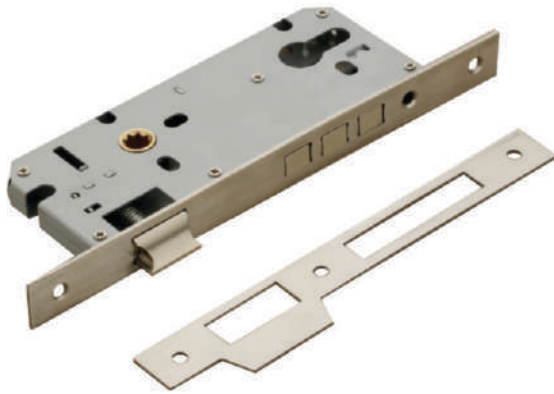


Lock bodies combined with precision cylinders deliver durable, tamper-resistant security and smooth, reliable locking for any door.

Our lock bodies provide robust structural security, engineered for durability and resistance against tampering. Paired with precision-engineered cylinders, they ensure smooth, reliable locking mechanisms for enhanced safety and ease of use in residential and commercial doors.



LOCK BODY



3 BOLT & LATCH BODY

FEATURES

- 9" Lock body
- SS 304 front plate
- Dead bolt, Latch & Followers are brass

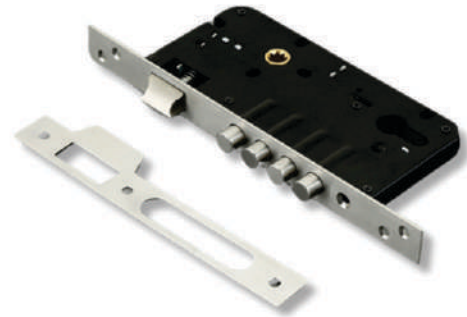
S.No.	Item Code	Type	Finish	Price
1	X-50x85-SS		SS	₹ 1340
2	X-60x85-SS	3 Bolt & Latch	SS	₹ 1400
3	X-60x85-AB		Antique	₹ 1540
4	X-60x85-BC		G-Black	₹ 1600
5	X-60x85-BL		Z-Black	₹ 1600

ROLLER BODY



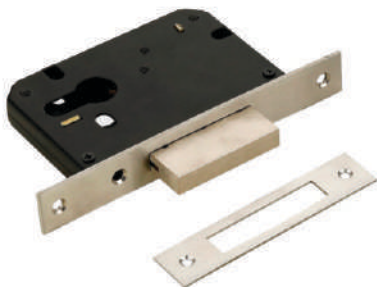
S.No.	Item Code	Type	Finish	Price
1	X-60x85-R-SS	Roller	SS	₹ 1700
2	X-60x85-R-BL		Z-Black	₹ 2000

4 BOLT LOCK BODY



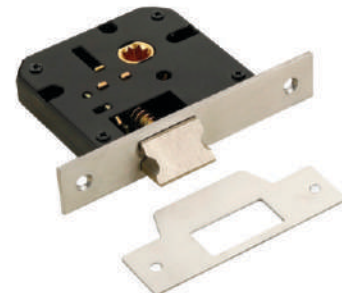
S.No.	Item Code	Type	Finish	Price
1	X-60x85-4B-SS	4 Bolt & Latch	SS	₹ 1800

DEAD LOCK



S.No.	Item Code	Type	Finish	Price
1	X-BL-45-SS	Dead Lock	SS	₹ 1000
2	X-BL-45-BL		Z-Black	₹ 1120

BABY LATCH



S.No.	Item Code	Type	Finish	Price
1	X-BL-45-SS	Baby Latch	SS	₹ 640
2	X-BL-60-SS			₹ 680

BRASS CYLINDER WITH ULTRA KEY



FEATURES

- Fully brass body knob & brass 5 ultra key
- Computerized brass 5 key ensure high security

S.No.	Size	SS		Z-BLACK		ANTIQUE		GRAPHITE BLACK	
		Item Code	Price	Item Code	Price	Item Code	Price	Item Code	Price
1	60 MM	X-60-OSK-SS	₹ 1600	X-60-OSK-BL	₹ 1880	X-60-OSK-AB	₹ 1720	X-60-OSK-BC	₹ 1720
2	70 MM	X-70-OSK-SS	₹ 1680	X-70-OSK-BL	₹ 1920	X-70-OSK-AB	₹ 1800	X-70-OSK-BC	₹ 1880
3	80 MM	X-80-OSK-SS	₹ 1820	X-80-OSK-BL	₹ 2100	X-80-OSK-AB	₹ 1920	X-80-OSK-BC	₹ 1960
4	90 MM	X-90-OSK-SS	₹ 2000	X-90-OSK-BL	₹ 2280	X-90-OSK-AB	₹ 2140	X-90-OSK-BC	₹ 2140
5	100 MM	X-100-OSK-SS	₹ 2220	X-100-OSK-BL	₹ 2520	X-100-OSK-AB	₹ 2360	X-100-OSK-BC	₹ 2360

BATHROOM CYLINDER (NO KEY)



FEATURES

- Fully brass body, core & knob
- Oval big knob for better gripping

S.No.	Size	SS		Z-BLACK		ANTIQUE		GRAPHITE BLACK	
		Item Code	Price	Item Code	Price	Item Code	Price	Item Code	Price
1	60 MM	X-60-C-SS	₹ 1140	X-60-C-BL	₹ 1400	X-60-C-AB	₹ 1200	X-60-C-BC	₹ 1200
2	70 MM	X-70-C-SS	₹ 1240	X-70-C-BL	₹ 1500	X-70-C-AB	₹ 1300	X-70-C-BC	₹ 1300
3	80 MM	X-80-C-SS	₹ 1340	X-80-C-BL	₹ 1600	X-80-C-AB	₹ 1400	X-80-C-BC	₹ 1400
4	90 MM	X-90-C-SS	₹ 1440	X-90-C-BL	₹ 1700	X-90-C-AB	₹ 1500	X-90-C-BC	₹ 1500

HALF CYLINDER



FEATURES

- Fully brass body, core & knob
- Oval big knob for better gripping

S.No.	Size	SS		Z-BLACK		ANTIQUE		GRAPHITE BLACK	
		Item Code	Price	Item Code	Price	Item Code	Price	Item Code	Price
1	45 MM	X-45-HC-SS	₹ 1040	X-45-HC-BL	₹ 1320	X-45-HC-AB	₹ 1100	X-45-HC-BC	₹ 1100

POPAT LOCK



Small Popat Lock

S.No.	Item Code	Type	Price
1	X-PL-B	Big	₹ 1400
2	X-PL-S	Small	₹ 1040



Big Popat Lock

DEAD BOLT



Big Dead Bolt

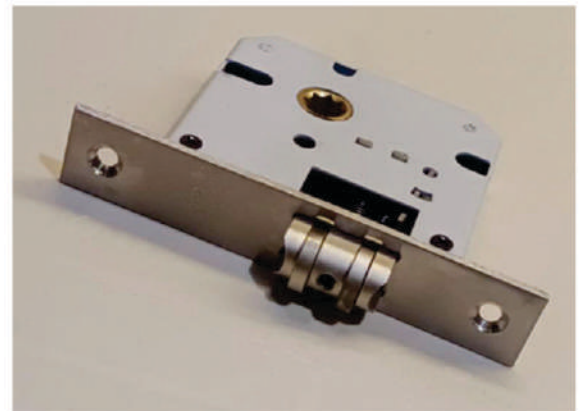
S.No.	Item Code	Type	Price
1	X-DB-B	Big	₹ 1600
2	X-DB-S	Small	₹ 1400



Small Dead Bolt

ROLLER LATCH

S.No.	Item Code	Type	Price
1	X-RL-S	Satin	₹ 1100
2	X-RL-B	Black	₹ 1300



CYLINDER CAP

S.No.	Item Code	Type	Price
1	X-CC-S	Satin	₹ 260
2	X-CC-A	Antique	₹ 320
3	X-CC-B	Z-Black	₹ 320
4	X-CC-G	G-Black	₹ 320





DRAWER LOCK



EXCELLENCE

FEATURES

- SS 304 Back body
- Latch & cylinder are fully brass
- Computerized brass dimple keys
- Easy to operate
- 20 MM to 35 MM sizes available



S.No.	Item Code	Size	Price
1	X-DL-20	20 MM	₹ 680
2	X-DL-25	25 MM	₹ 740
3	X-DL-30	30 MM	₹ 800
4	X-DL-35	35 MM	₹ 880



CUPBOARD LOCK

FEATURES

- SS 304 Back body
- Latch & cylinder are fully brass
- Computerized brass dimple keys
- 20 MM to 40 MM sizes available



S.No.	Item Code	Size	Price
1	X-CL-20	20 MM	₹ 840
2	X-CL-25	25 MM	₹ 900
3	X-CL-30	30 MM	₹ 960
4	X-CL-35	35 MM	₹ 1020
5	X-CL-40	40 MM	₹ 1080



SLIDING LOCK

FEATURES

- SS 304 Back body
- Latch & cylinder are fully brass
- Computerized brass dimple keys
- 20 MM to 25 MM sizes available



S.No.	Item Code	Size	Price
1	X-SL-20	20 MM	₹ 1200
2	X-SL-25	25 MM	₹ 1240
3	X-SL-20-C	20 MM-COMBO	₹ 2400
4	X-SL-25-C	25 MM-COMBO	₹ 2480

Mortice Handle Solution

Handles that
define your entrance

Elevate your doorway with mortise handles that blend timeless design and robust security. Crafted to make a lasting first impression, they seamlessly combine elegance with functionality.



"Mortise door handles seamlessly integrate into doors, offering a harmonious blend of durability, security, and refined aesthetics.

Mortise door handles are integrated into the door's structure, offering a seamless blend of security and style. Their embedded design ensures durability and a clean aesthetic, making them ideal for both traditional and contemporary interiors.



MORTICE BRASS HANDLE



Item Code

X-101-SS

X-101-AB

X-101-BC

Finish

SS

ANTIQUE

GRAPHITE BLACK

Price

₹ 6800

₹ 6800

₹ 6800



Item Code

X-103-SS

X-103-AB

X-103-BC

Finish

SS

ANTIQUE

GRAPHITE BLACK

Price

₹ 7000

₹ 7000

₹ 7000



Item Code

X-110-SS

X-110-AB

X-110-BC

Finish

SS

ANTIQUE

GRAPHITE BLACK

Price

₹ 6600

₹ 6600

₹ 6600

MORTICE BRASS HANDLE



EXCELLENCE



X-116-SS

SS

₹ 6800



X-116-AB

ANTIQUE

₹ 6800



X-116-BC

GRAPHITE BLACK

₹ 6800

Item Code

Finish

Price



X-104-SS

SS

₹ 6300



X-104-AB

ANTIQUE

₹ 6300



X-104-BC

GRAPHITE BLACK

₹ 6300

Item Code

Finish

Price



X-119-SS

SS

₹ 6200



X-119-AB

ANTIQUE

₹ 6200



X-119-BC

GRAPHITE BLACK

₹ 6200

Item Code

Finish

Price

MORTICE BRASS HANDLE



Item Code

X-104-TT

Finish

TWO-TONE

Price

₹ 6200



X-118-TT

TWO-TONE

₹ 7400

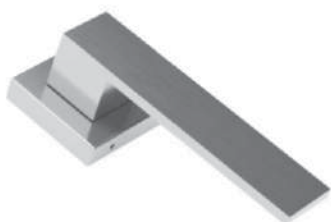


X-108-TT

TWO-TONE

₹ 7400

MORTICE SS HANDLE



X-518-SS

Finish

SS

Price

₹ 2200



X-518-AB

ANTIQUE

₹ 2400



X-518-BC

Z-BLACK

₹ 2400



X-522-SS

Finish

SS

Price

₹ 2200



X-522-AB

ANTIQUE

₹ 2400



X-522-BC

Z-BLACK

₹ 2400

MORTICE SS HANDLE



EXCELLENCE



Item Code
Finish
Price

X-522-B-SS
SS
₹ 2200

X-522-B-AB
ANTIQUE
₹ 2400

X-522-B-BC
Z-BLACK
₹ 2400



Item Code
Finish
Price

X-526-SS
SS
₹ 2600

X-526-AB
ANTIQUE
₹ 2800

X-526-BC
Z-BLACK
₹ 2800



Item Code
Finish
Price

X-530-SS
SS
₹ 2600

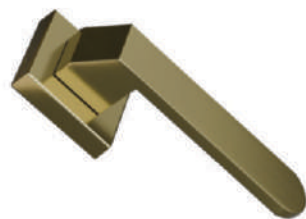
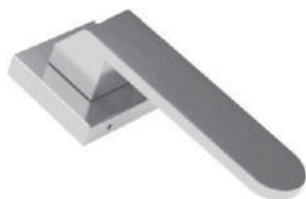
X-530-AB
ANTIQUE
₹ 2800

X-530-BC
Z-BLACK
₹ 2800

MORTICE SS HANDLE



EXCELLENCE



Item Code

X-530-B-SS

X-530-B-AB

X-530-B-BC

Finish

SS

ANTIQUE

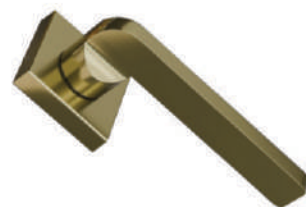
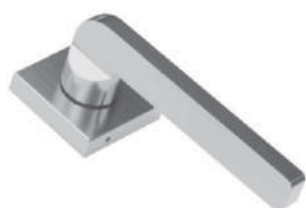
Z-BLACK

Price

₹ 2600

₹ 2800

₹ 2800



Item Code

X-540-SS

X-540-AB

X-540-BC

Finish

SS

ANTIQUE

Z-BLACK

Price

₹ 2600

₹ 2800

₹ 2800



Item Code

X-525-SS

X-525-AB

X-525-BC

Finish

SS

ANTIQUE

Z-BLACK

Price

₹ 2600

₹ 2800

₹ 2800

KITCHEN PROFILE HANDLE

LEHER DESIGN (GISSI)



S.No.	Item Code	Colour	Size	Price
1	X-KPH-L	SS Brush	8" to 24"	₹ 40/ INCH
		CP		
		Rose Gold	26" to 36"	₹ 44/ INCH
		Black Matt		

DIAMOND CUT DESIGN



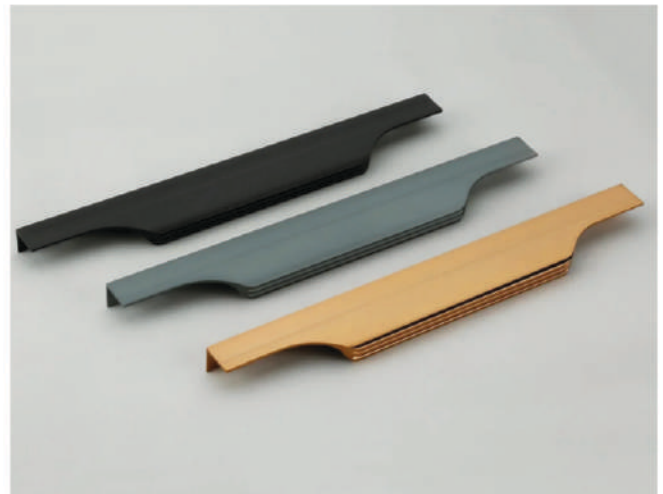
S.No.	Item Code	Colour	Size	Price
1	X-KPH-D	Rose Gold	8" to 24"	₹ 40/ INCH
		Black Matt		
		SS Brush	26" to 36"	₹ 44/ INCH

LEHER BACK SCREW DESIGN



S.No.	Item Code	Colour	Size	Price
1	X-KPH-L-BS	SS Brush	8" to 24"	₹ 40/ INCH
		CP		
		Rose Gold	26" to 36"	₹ 44/ INCH
		Black Matt		

LINING BACK SCREW DESIGN

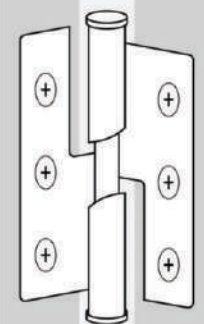
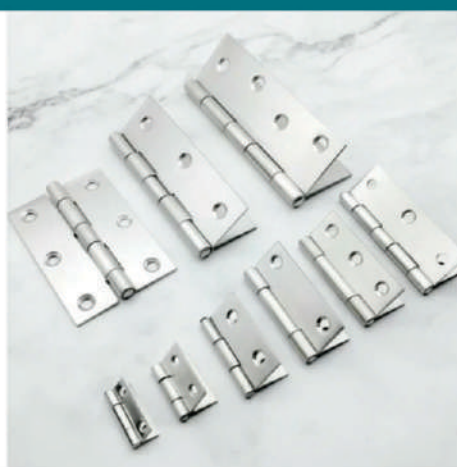


S.No.	Item Code	Colour	Size	Price
1	X-KPH-NL-BS	Black	8" to 24"	₹ 40/ INCH
		Stone Gray	26" to 36"	₹ 44/ INCH

SS Hinges Solution

Strength that swings smoothly

Engineered for durability and seamless movement, our SS door hinges ensure lasting support with every swing. Experience silent strength in every open and close.

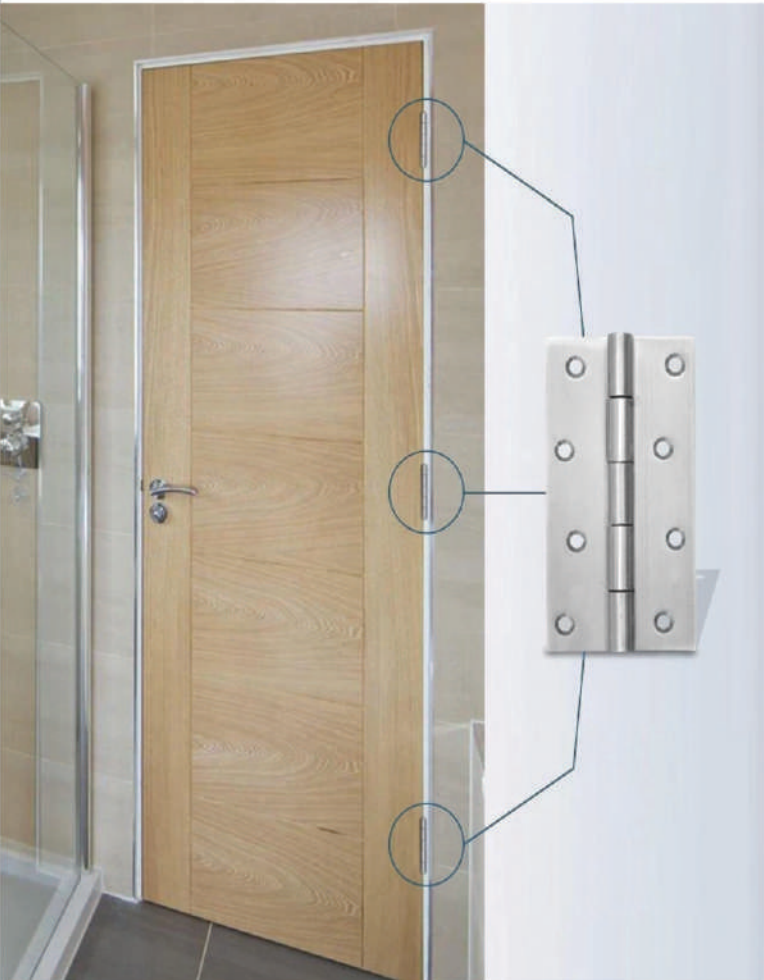


SS door hinges combine strength, durability, and smooth operation with a sleek, corrosion-resistant finish.

SS door hinges are crafted from high-grade stainless steel, offering superior strength, corrosion resistance, and long-lasting performance. Designed for smooth and silent door movement, they are ideal for both residential and commercial applications.



EXCELLENCE



PREMIUM WELDED HINGES



FEATURES

- Stainless steel 202 hinges
- A complete gauge as it define
- Full welded hinges with inner single pin inserted



S.No.	Item Code	Gauge	Pcs./Box	Price
1	X-SS-3*12	12	40	₹ 120
2	X-SS-3*16	16	40	₹ 72.5
3	X-SS-3*1/2*3/4	16	48	₹ 62
4	X-SS-3*3/4*3/4	16	40	₹ 67
5	X-3*15*10	16	48	₹ 62
6	X-SS-4*12	12	24	₹ 162
7	X-SS-4*14	14	24	₹ 126
8	X-SS-4*1/2*3/4	16	40	₹ 78
9	X-SS-4*3/4*3/4	16	48	₹ 86
10	X-SS-5*12	12	12	₹ 204
11	X-SS-5*14	14	15	₹ 161
12	X-SS-5*1.25	12	10	₹ 250

S.No.	Item Code	Gauge	Pcs./Box	Price
13	X-SS-5*1.5	12	10	₹ 271
14	X-SS-6*1.25	12	10	₹ 310
15	X-SS-6*1.5	12	10	₹ 338
16	X-SS-5*10	10	10	₹ 352
17	X-SS-6*10	10	10	₹ 444
18	X-SS-5*1.5 (10)	10	8	₹ 480
19	X-SS-6*1.5 (10)	10	8	₹ 585
20	X-SS-8*10	10	8	₹ 920
21	X-SS-5*2	10	8	₹ 560
22	X-SS-6*2	10	8	₹ 700
23	X-SS-6*12	12	8	₹ 276

S.No.	Item Code	Price
1	X-SS-L-3*1/2*6	₹ 74
2	X-SS-L-3*1/2*12	₹ 78
3	X-SS-L-3*1/2*19	₹ 82
4	X-SS-L-3*1/2*25	₹ 86
5	X-SS-L-3*3/4*6	₹ 84
6	X-SS-L-3*3/4*12	₹ 88
7	X-SS-L-3*3/4*19	₹ 92
8	X-SS-L-3*3/4*25	₹ 94
9	X-SS-L-4*1/2*6	₹ 100
10	X-SS-L-4*1/2*12	₹ 104
11	X-SS-L-4*1/2*19	₹ 108
12	X-SS-L-4*1/2*25	₹ 112
13	X-SS-L-4*3/4*6	₹ 126
14	X-SS-L-4*3/4*12	₹ 130
15	X-SS-L-4*3/4*19	₹ 134
16	X-SS-L-4*3/4*25	₹ 138
17	X-SS-L-4*1*6	₹ 162
18	X-SS-L-4*1*12	₹ 166
19	X-SS-L-4*1*19	₹ 170
20	X-SS-L-4*1*25	₹ 174

SS L-WELDED HINGES

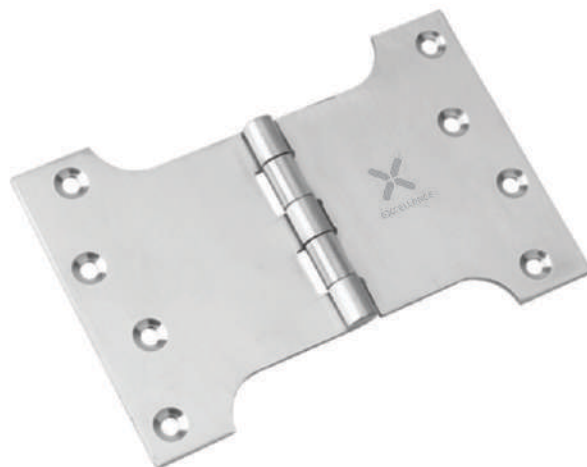
FEATURES

- Stainless steel 201 hinges
- A complete gauge as it define
- Full welded hinges with inner single pin inserted



S.No.	Item Code	Price
1	X-SS-PH-4x2	₹ 320
2	X-SS-PH-4x3	₹ 352
3	X-SS-PH-4x4	₹ 404
4	X-SS-PH-4x5	₹ 440

WELDED PARLAMENT HINGES



SS W-HINGES

FEATURES

- Stainless steel 2021 hinges
- A complete gauge as it define
- Full welded hinges with inner single pin inserted



S.No.	Item Code	Price
1	X-SS-W-3x1/2x6	₹ 108
2	X-SS-W-3x1/2x12	₹ 112
3	X-SS-W-3x1/2x19	₹ 116
4	X-SS-W-3x1/2x25	₹ 120
5	X-SS-W-3x3/4x6	₹ 122
6	X-SS-W-3x3/4x12	₹ 126
7	X-SS-W-3x3/4x19	₹ 130
8	X-SS-W-3x3/4x25	₹ 134
9	X-SS-W-4x1/2x6	₹ 148
10	X-SS-W-4x1/2x12	₹ 152
11	X-SS-W-4x1/2x19	₹ 156
12	X-SS-W-4x1/2x25	₹ 160
13	X-SS-W-4x3/4x6	₹ 166
14	X-SS-W-4x3/4x12	₹ 170
15	X-SS-W-4x3/4x19	₹ 174
16	X-SS-W-4x3/4x25	₹ 178
17	X-SS-W-4x1x6	₹ 280
18	X-SS-W-4x1x12	₹ 288
19	X-SS-W-4x1x19	₹ 296
20	X-SS-W-4x1x25	₹ 304



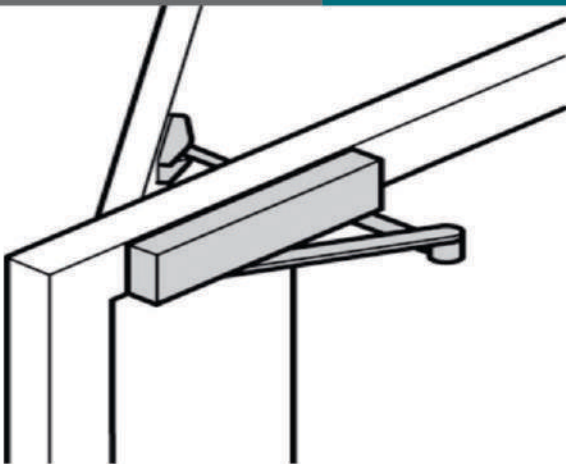
SS Z-HINGES

S.No.	Item Code	Price
1	X-SS-Z-3x½	₹ 72
2	X-SS-Z-3x¾	₹ 88
3	X-SS-Z-4x½	₹ 96
4	X-SS-Z-4x¾	₹ 112

Door Closer Solution

Protection for the home,
peace for the mind

We don't just make homes secure
we make people feel secure too we
reassure them: if they've chosen Excellence,
they can get on and enjoy their lives.



Make your door smarter with a
door closer designed to secure and
simplify your life.

Enhance your door's functionality with a
smart door closer designed to secure and simplify
your life. These devices offer automated closing,
remote control, and seamless integration with
smart home systems, ensuring both safety
and convenience.



EXCELLENCE



FLOOR SPRING SINGLE CYLINDER (80-90KG)



FEATURES

- Weight capacity \leq 90 kg
- Door width : 700 - 900 MM
- Dimension : 250x100x48 MM
- 1 MM SS 304 cover plate
- Hold Open at 90°
- 1,00,000 cycle tested

S.No.	Item Code	Cover Plate	Accessory	Price
1	X-FS-90-S	Satin	Without	₹ 3400
2	X-FS-90-B	Black	Without	₹ 4000
3	X-FS-W-90-S	Satin	Wooden	₹ 3800
4	X-FS-W-90-B	Black	Wooden	₹ 4400



FLOOR SPRING DOUBLE CYLINDER (120KG)



FEATURES

- Weight capacity \leq 120 kg
- Door width : 900 - 1250 MM
- Dimension : 306*x108x41 MM
- 1 MM SS 304 cover plate
- Hold Open at 90°
- 1,00,000 cycle tested

S.No.	Item Code	Cover Plate	Accessory	Price
1	X-FS-120-S	Satin	Without	₹ 5000
2	X-FS-120-B	Black	Without	₹ 5600
3	X-FS-W-120-S	Satin	Wooden	₹ 5400
4	X-FS-W-120-B	Black	Wooden	₹ 6000

PATCH FITTING

FEATURES

- Aluminium 7 MM
- 0.8 MM SS 304 cover plate
- Glass door thickness : 10-12 MM
- Dorma spindle



BOTTOM PATCH



S.No.	Item Code	Satin Price	Black Price
1	X-PF-BP-S	₹ 1000	₹ 1400

TOP PATCH



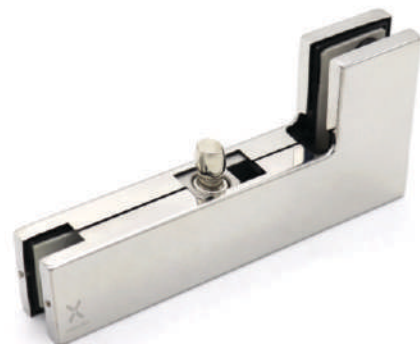
S.No.	Item Code	Satin Price	Black Price
1	X-PF-TP-S	₹ 1000	₹ 1400

OVER PANEL WITH PIVOT



S.No.	Item Code	Satin Price	Black Price
1	X-PF-PO-S	₹ 2350	₹ 2750

BIG L WITH PIVOT



S.No.	Item Code	Satin Price	Black Price
1	X-PF-BL-S	₹ 3000	₹ 3400

SMALL - L



S.No.	Item Code	Satin Price	Black Price
1	X-PF-SL-S	₹ 2000	₹ 2400

BOTTOM PATCH LOCK



S.No.	Item Code	Satin Price	Black Price
1	X-PF-BPL-S	₹ 3200	₹ 3600

STRIKE BOX FOR BOTTOM PATCH LOCK



S.No.	Item Code	Satin Price	Black Price
1	X-PF-SB-S	₹ 3000	₹ 3400

TOP PIVOT



S.No.	Item Code	Satin Price	Black Price
1	X-PF-P-S	₹ 400	₹ 500

GLASS LOCK D-TYPE WALL TO GLASS (KNOB & KEY)



S.No.	Item Code	Satin Price	Black Price
1	X-W2G-D-S	₹ 1700	₹ 1900

GLASS LOCK D-TYPE GLASS TO GLASS (KNOB & KEY)



S.No.	Item Code	Satin Price	Black Price
1	X-G2G-D-S	₹ 1900	₹ 2100



DOOR CLOSER MIDDLE MODEL



FEATURES

- Door weight capacity : 45 - 65 kg
- Hole distance : 162 x 19 MM
- Hold open 90°

S.No.	Item Code	Colour	Price
1	X-DC-65	Silver	₹1875



DOOR CLOSER BIG MODEL

FEATURES

- Door weight capacity : 65 - 80 kg
- Hole distance : 188 x 19 MM
- Hold open 90°

S.No.	Item Code	Colour	Price
1	X-DC-80	Silver	₹2840



TRIANGLE SHAPE DOOR CLOSER

FEATURES

- Door weight capacity : 60 - 80 kg

S.No.	Item Code	Colour	Door Weight	Price
1	X-DC-TRI-80	Silver	60-80 kg	₹3600

ROUND CONCEALED DOOR CLOSER

FEATURES

- Door weight capacity : 80 - 100 kg
- Thickness : 33 MM

S.No.	Item Code	Colour	Door Weight	Price
1	X-DC-RC-80	Silver	80-100 kg	₹ 5450



SQUARE CONCEALED DOOR CLOSER

FEATURES

- Door weight capacity : 80 - 100 kg
- Thickness : 33 MM

S.No.	Item Code	Colour	Door Weight	Price
1	X-DC-SC-80	Silver	80-100 kg	₹ 6975



SLIM CONCEALED DOOR CLOSER

FEATURES

- Door weight capacity : 45 - 50 kg
- Thickness : 22 MM

S.No.	Item Code	Colour	Door Weight	Price
1	X-DC-SLC-45	Silver	45-50 kg	₹ 8050



PELMET ARM DOOR CLOSER

FEATURES

- Door weight capacity : 60 - 80 kg

S.No.	Item Code	Colour	Door Weight	Price
1	X-DC-PEL-80	Silver	60-80 kg	₹ 6100



GLASS HANDLE H - TYPE



FEATURES

- 1.2 MM Thick SS 304 Pipe

S.No.	Item Code	Size	Satin	Black
1	X-GH-H-200-25	25x350x200 MM	₹ 1850	₹ 2050
2	X-GH-H-250-25	25x400x250 MM	₹ 2050	₹ 2250
3	X-GH-H-300-25	25x450x300 MM	₹ 2250	₹ 2450
4	X-GH-H-450-25	25x600x450 MM	₹ 2450	₹ 2650
5	X-GH-H-300-32	32x500x300 MM	₹ 2650	₹ 2850
6	X-GH-H-450-32	32x650x450 MM	₹ 2850	₹ 3050
7	X-GH-H-600-32	32x800x600 MM	₹ 3050	₹ 3250

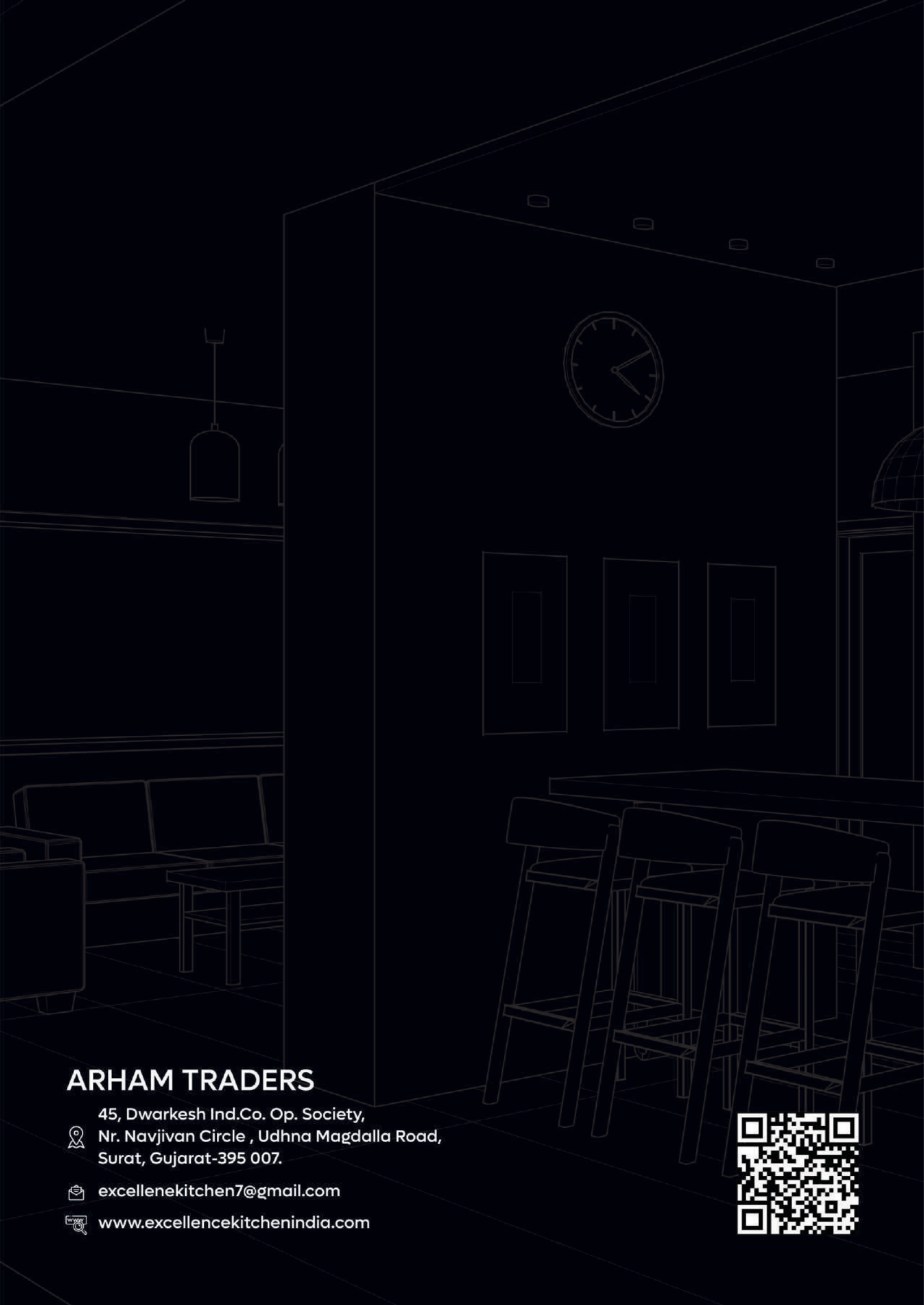
GLASS HANDLE D - TYPE



FEATURES

- 1.2 MM Thick SS 304 Pipe

S.No.	Item Code	Size	Satin	Black
1	X-GH-D-200-25	25x200 MM	₹ 1650	₹ 1850
2	X-GH-D-250-25	25x250 MM	₹ 1850	₹ 1650
3	X-GH-D-300-25	25x300 MM	₹ 2050	₹ 1850
4	X-GH-D-450-25	25x450 MM	₹ 2250	₹ 2050
5	X-GH-D-300-32	32x300 MM	₹ 2450	₹ 2650
6	X-GH-D-450-32	32x450 MM	₹ 2650	₹ 2850
7	X-GH-D-600-32	32x600 MM	₹ 2850	₹ 3050



ARHAM TRADERS

45, Dwarkesh Ind.Co. Op. Society,
Nr. Navjivan Circle , Udhna Magdalla Road,
Surat, Gujarat-395 007.



excellenekitchen7@gmail.com



www.excellencekitchenindia.com

